

Pump/Mechanical Base Line Card

Applications:

- Pumps
- Motors
- Turbines
- Fans & Blowers
- Prime Mover with Gear Box
- Chillers & Compressors
- Generators
- Horizontal Mounted Equipment
- Lubrication Systems
- Auxililary Equipment

Design Features:

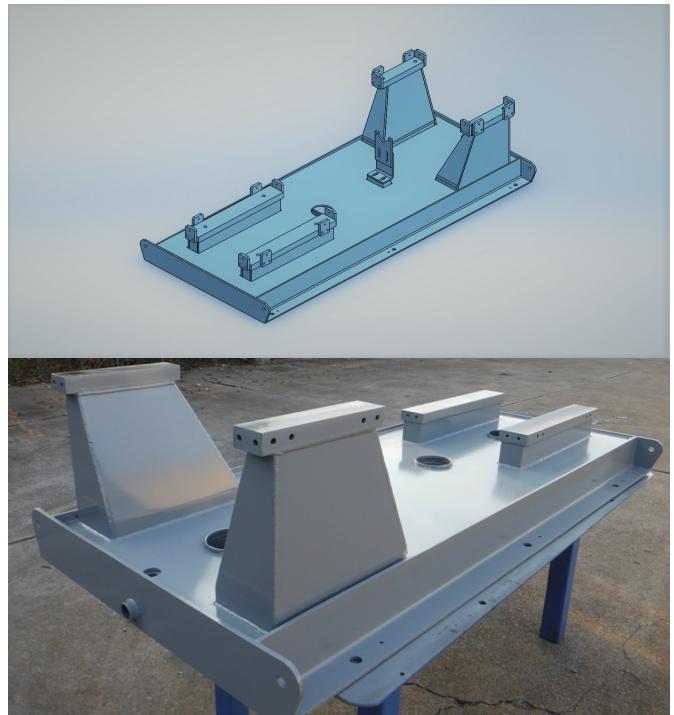
- Heavy Fabricated Steel Design
- Multiple Rigging Points
- Flat Finish Machining After Assembly
- Tolerances Clearly Defined
- Low Torsion Design
- Vibration Resistant Design
- Heavy Duty Gusseting
- Variable Heights
- Ease of Access for Gout Pouring
- Multiple Types of Steel Available
- Sloped Base Plate: 1" every 8'

Typical Arrangements Available:

- 4' Base
- 6' Base
- Typically Mild Steel
- Stainless Steel
- Alloy Steel
- Access for Grout Pour
- Lifting Points for Installation

Advantages of AMG:

- Turnkey Service: Design- Build- Install- Inspect
- Quick Design & Fabrication Turnaround
- Build to Specification
- Wide Variety of Customizations
- Computer Aided Design (CAD) for Review
- Industry Specific Input
- Increased Reliability
- Fully Customizable (Coatings, Colors, etc.)



Sizes and Cofigurations:

- As Small as 6 Square Foot Base
- As Large as 100 Square Foot Base
- Minumim 2'-3'
- Maximun of 25'